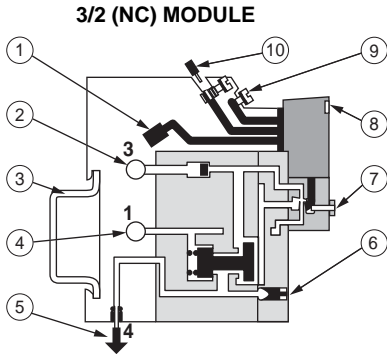


FEATURES

- This interface will change an electric signal to a pneumatic signal with one or two outputs.
- Made up of modular joinable elements with 3/2 normally closed or 4/2 functions. The equipment can be fitted on standard symmetrical DIN rail ③

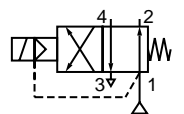
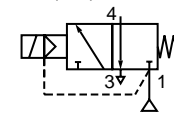


- ① Common supply tag
- ② Common exhaust
- ③ Standard symmetrical DIN rail
- ④ Common supply pressure
- ⑤ Pneumatic signal
- ⑥ Visual indication
- ⑦ Manual override
- ⑧ Visual indication of electric signal
- ⑨ Earth
- ⑩ Electric signal : - supply (A1)
- neutral (A2)



3/2 (NC) MODULE

4/2 MODULE



GENERAL

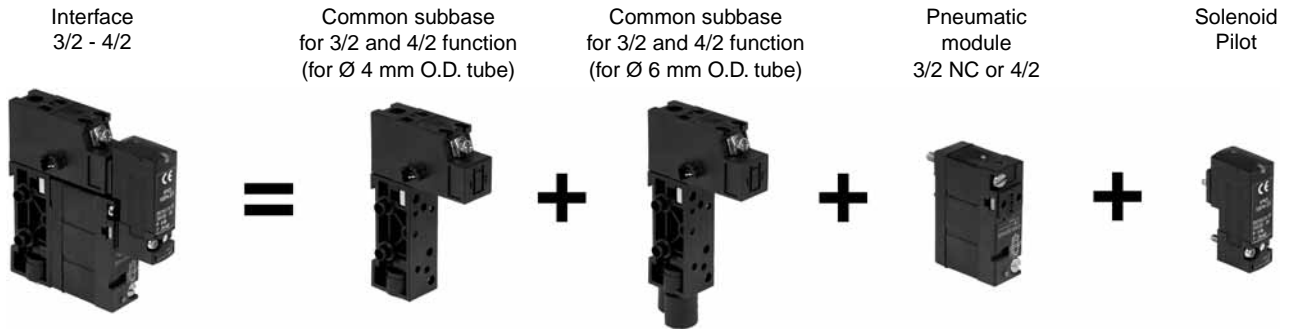
Fluid
Operating pressure
Ambient temperature
Flow (Qv at 6.3 bar)
Assembly
Solenoid valve

Air or neutral gas filtered, lubricated or not
3 to 8 bar
- 10°C to + 40°C
154 l/min(ANR) - Kv : 2.2
On joinable subbases which can be mounted on DIN rail EN 50022
3/2 normally closed mini solenoid valve with low electrical consumption

ELECTRICAL CHARACTERISTICS

voltage (V)	consumption	insulation class	protection degree	electrical connection
~ 24 - 115 - 230	1,6 VA	H	IP 65	<ul style="list-style-type: none"> • Solenoid valve plugs into the module • Common electric wire • Screw terminals (IP20)
= 12 - 24	1,3 W			

ASSEMBLY



CHOICE OF EQUIPMENT

description		code (1)	
interface subbase (Ø 4 mm O.D. tube)		30400011	
interface subbase (Ø 6 mm O.D. tube)		30400024	
set of two end subbases (for Ø 6 mm O.D. tube)		30400001	
intermediate supply module (for Ø 6 mm O.D. tube)		30400004	
valve module 3/2 normally closed (NC)		30400007	
valve module 4/2		30400008	
solenoid pilot valve with or without visual indicator (LED) and electrical protection	manual override impulse	(=) 30215178--P (2)	30211178--P (2)
		(~) 30215178--L (2)	30211178--L (2)
	manual override screwdriver	(=) 30215179--P (2)	30211179--P (2)
		(~) 30215179--L (2)	30211179--L (2)
blank marking tags (50)		33400042	

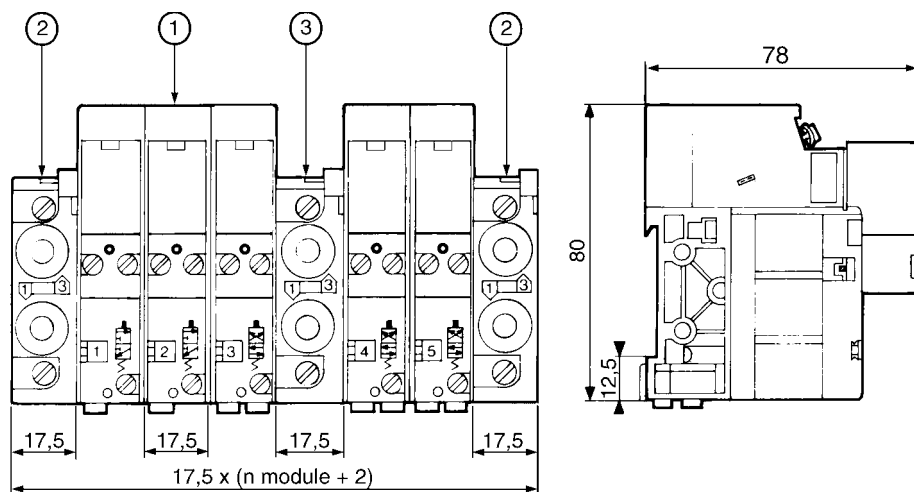
(1) Each part must be ordered separately indicating the quantity and part number. They are delivered separately, unassembled
(2) Specify voltage and frequency

OPTION : Solenoid pilot valve without visual indicator and electrical protection



DIMENSIONS (mm), WEIGHT (kg)

weight (complete interface)
0,800



- ① Module
- ② Ends
- ③ Intermediate supply module for 2 different pressure in lets